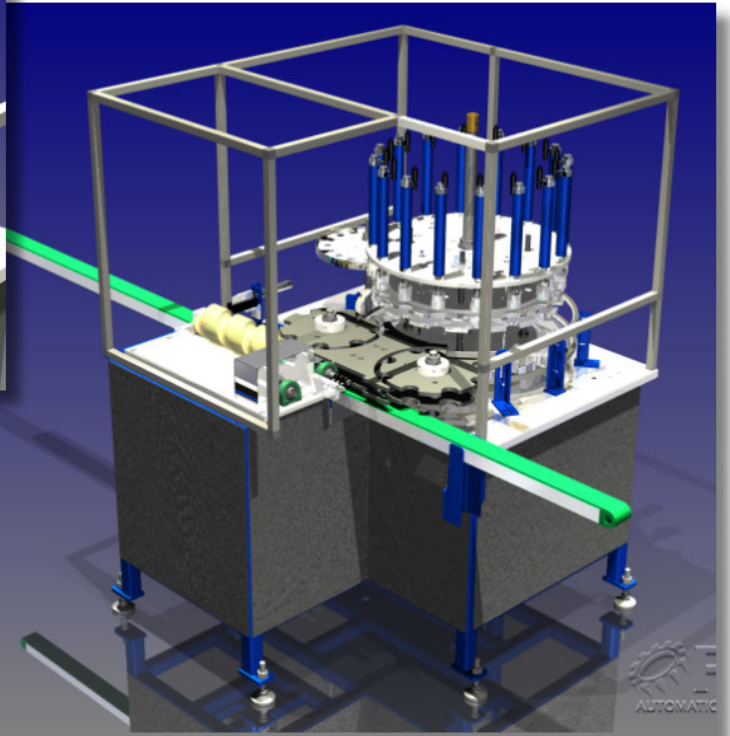
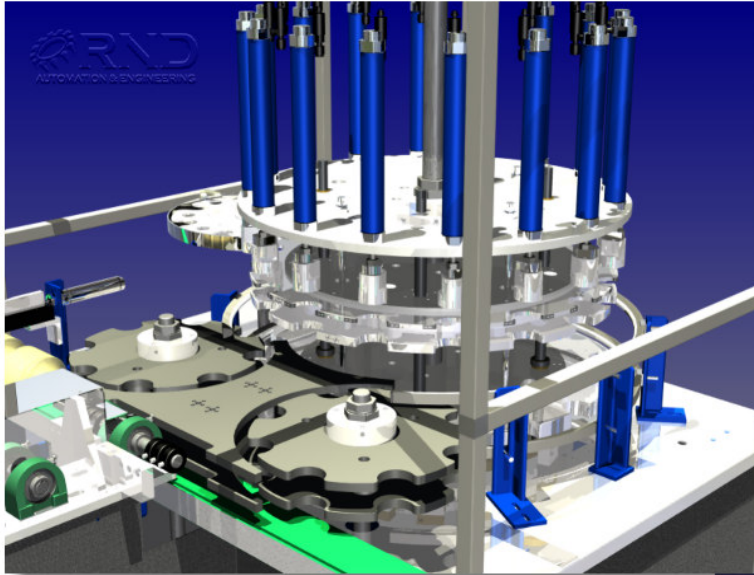


Your container isn't expensive...
...why should your equipment be ?

Finally...an affordable composite can plugger



- Can diameters from 1.5" - 4"
- Can heights to 12"
- Speeds from 150-200 cpm
- 16 heads per turret
- 30 minute tooling change over
- 20 or 40 cubic foot cap feeders
- Optional gluing module available

CMP-16 continuous motion plugger

\$150,000

Includes one set of tooling and a 20 cubic foot capfeeder.
Additional tooling, other configurations, and options available
upon request. For more information contact us:



2035 Whitfield Park Loop
Sarasota, FL 34243
941.870.5400 / 941.727.9889
www.RNDautomation.com